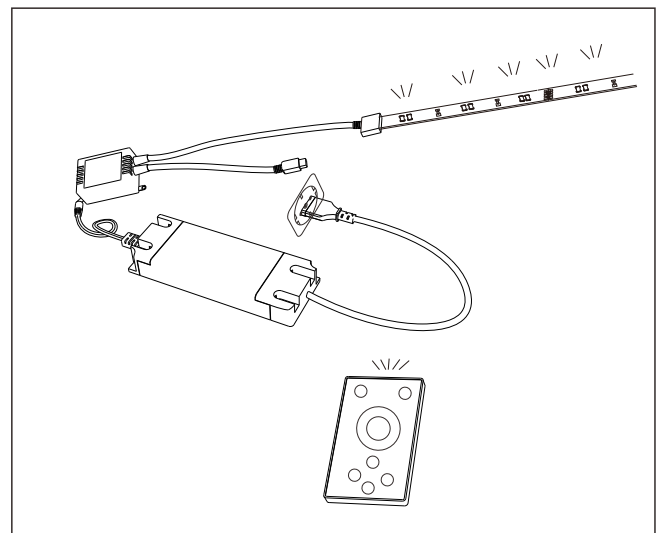
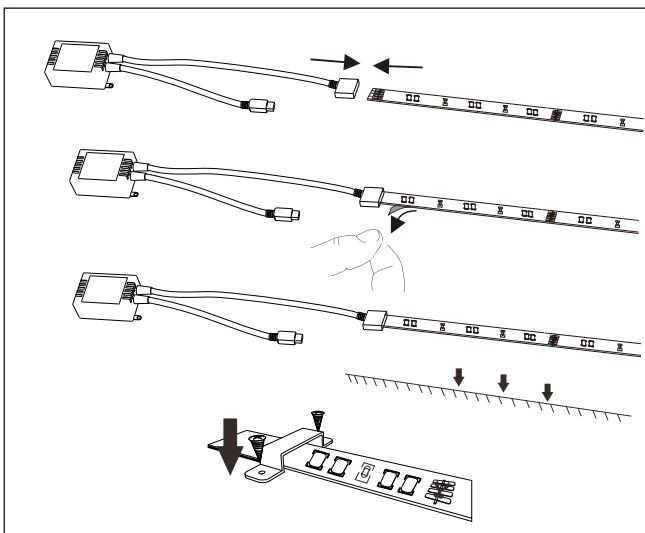
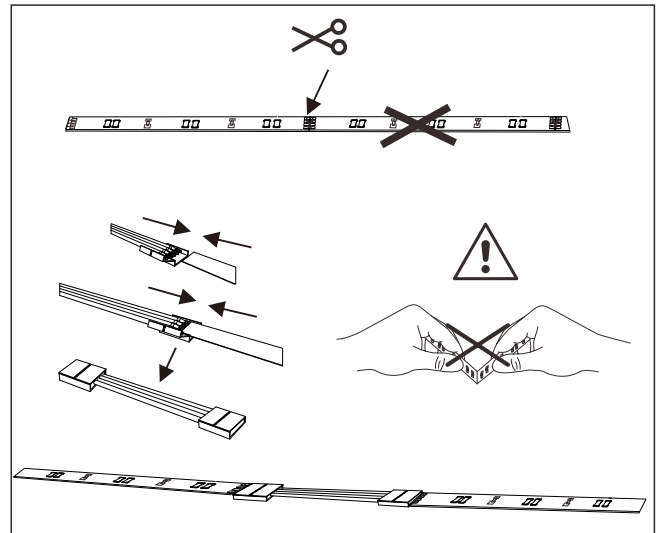
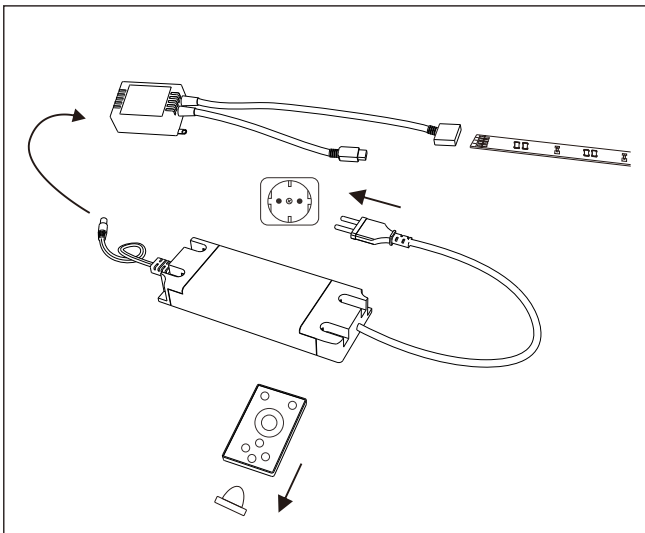
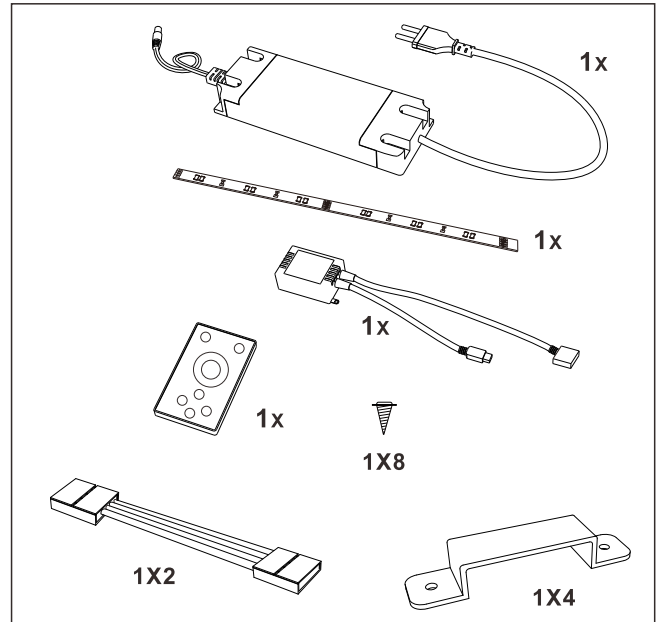


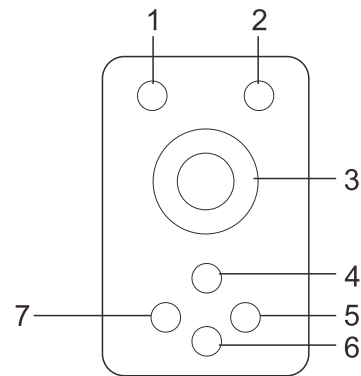


Art. No.: 97923




Remote Controller Function


- (1) Switches the LED strips off.
- (2) Switches the LED strips on.
- (3) Use the ring to set the color temperature.
- (4) Regulates the brightness upwards.
- (5) Set a warm white color temperature.
- (6) Regulates the brightness downwards.
- (7) Set a cold white color temperature.




Safety notes

- The user of the device must have read and understood these operating instructions prior to its first use in order to safely implement this device.
- The device must only be used when it functions properly. If the device or part of the device is defective, have it repaired by a specialist.
- Always keep the operating instructions within reach.
- If you sell or pass on the device, you must also pass on these operating instructions.
- Never use the unit in a room where there is a danger of explosion or in the vicinity of flammable liquids or gases.
- The unit may only be connected to a grounded socket which has been installed professionally, is grounded and checked.
- Main power voltage and fuse must meet the Technical Data specifications.
- If the power cable or the device is damaged immediately pull out the plug. Do not use the device again and dispose of properly.
- Do not bend, crush or pull the cable, protect from sharp edges, oil and heat.
- If the device is not in use, make sure the plug is pulled out.
- Do not touch the power connector with wet hands! Always unplug by pulling the connector, not the cable.
- Do not lift the device using the cable or use the cable for purposes other than intended.
- The power cable may not be shortened.

 The light can only be used in dry indoor areas.

 Suitable for outdoor installation (splash proof)

 Risk of damage to the eyes! Never look directly into the LED.

 Not suitable for ordinary lighting in household room illumination